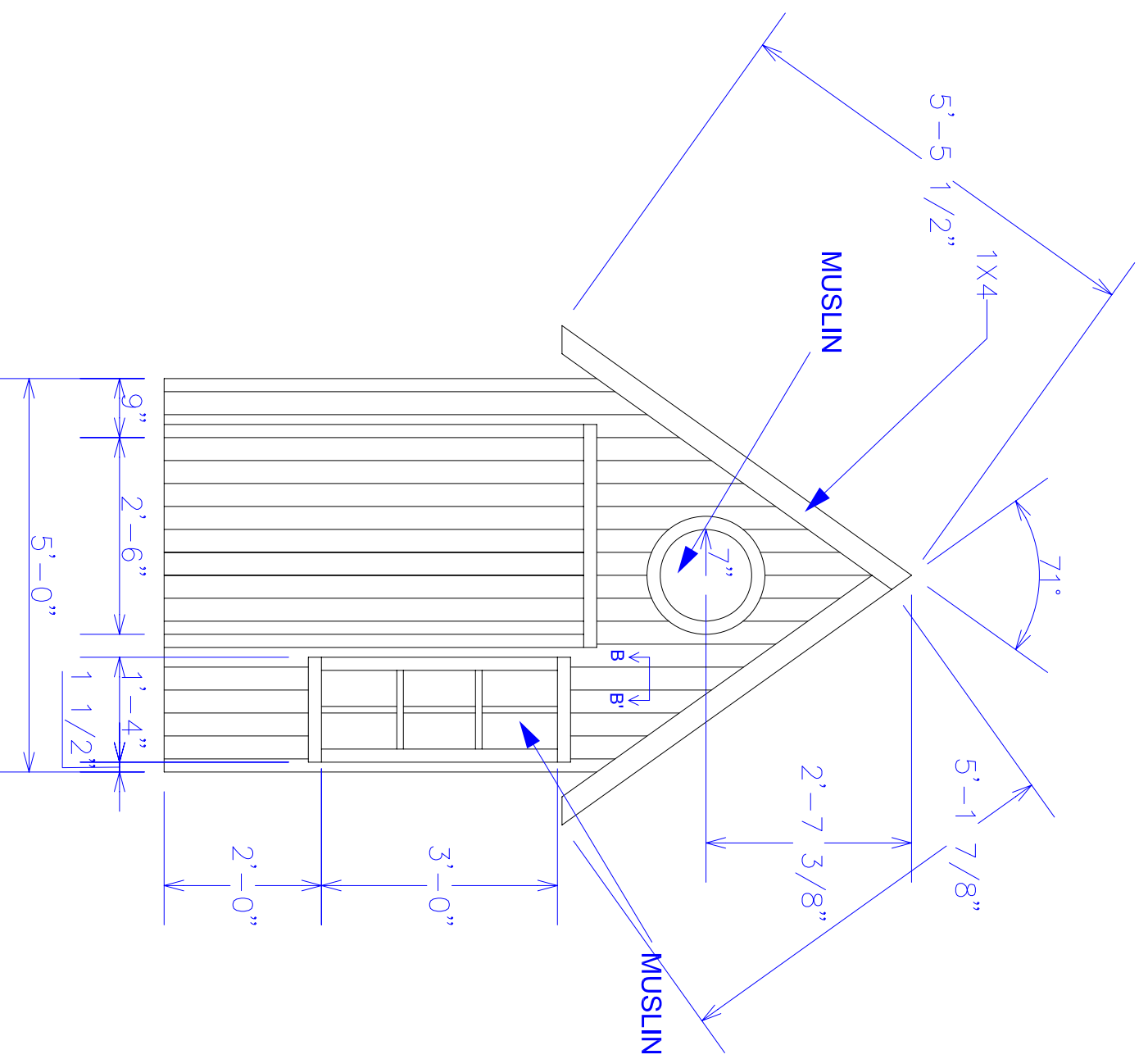
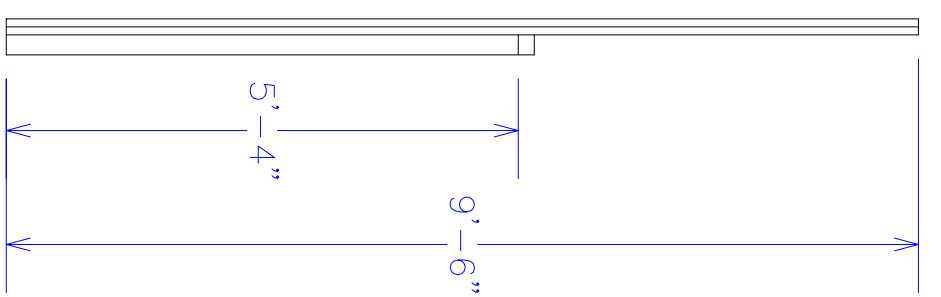


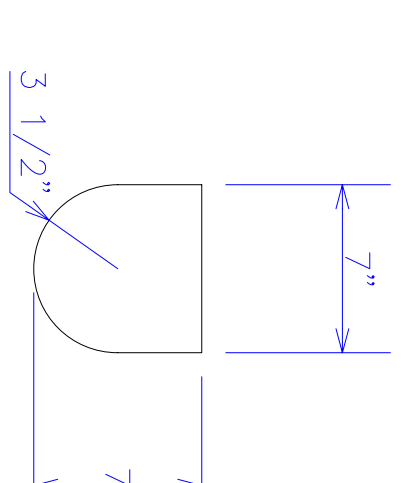
A
A - A' SECTION
SCALE: 3" = 10"
CREATE PROFILE ON ALL
PLANNING



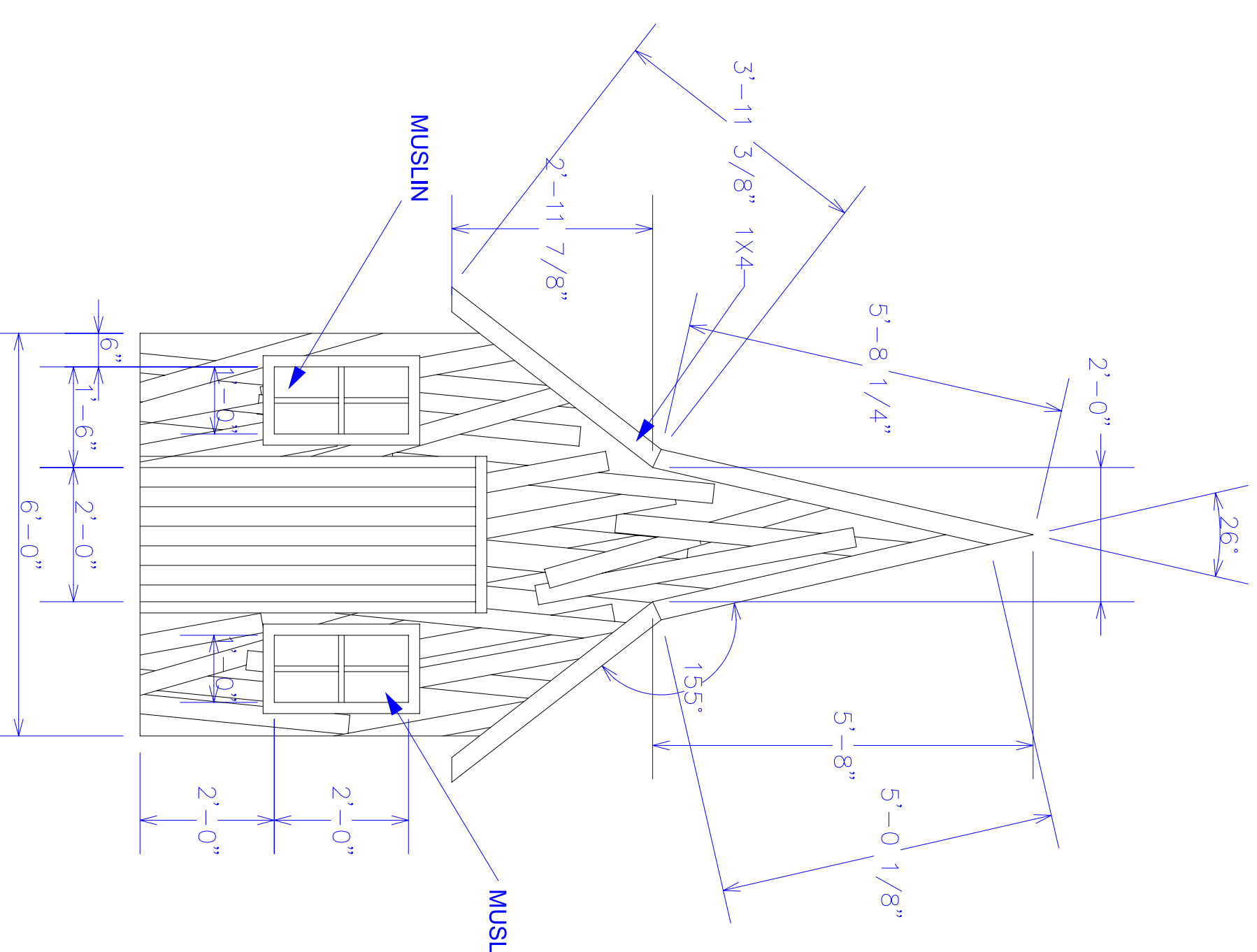
I
FRONT ELEVATION
WINDOW/DOOR TRIM: 1X2"
MULLINS: 1" WIDE



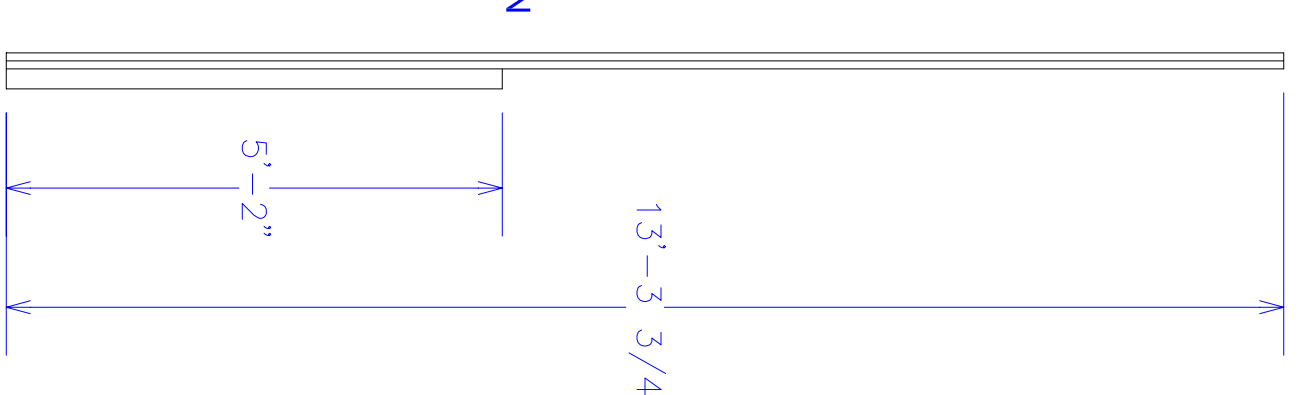
I
SIDE ELEVATION



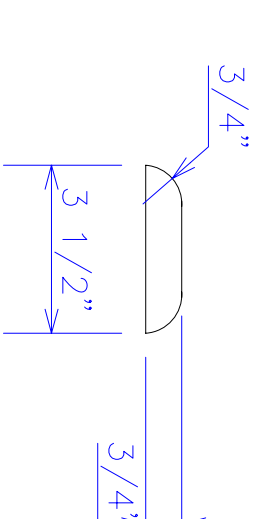
K
SHINGLE DETAIL
SCALE: 15" = 1' 0"



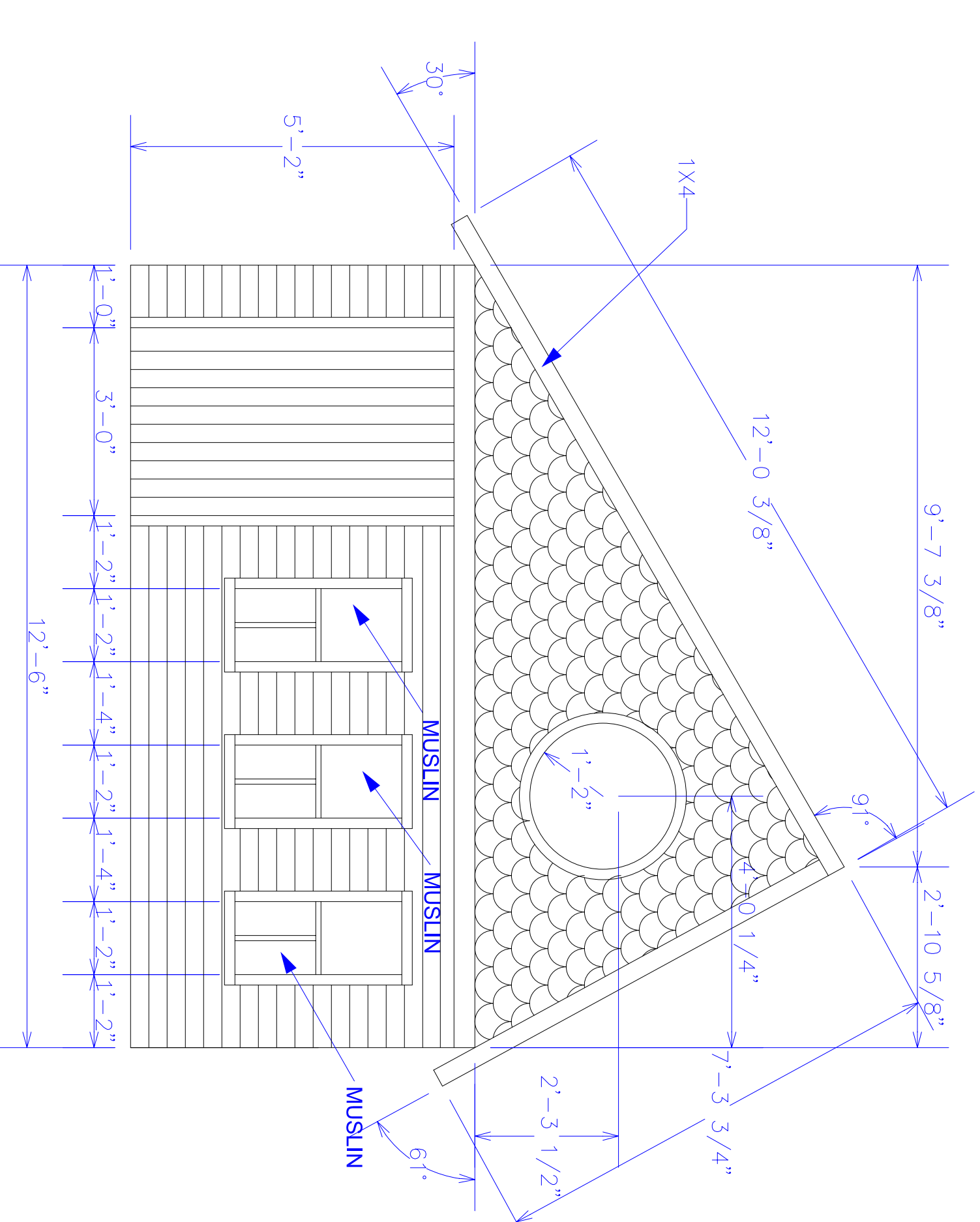
J
FRONT ELEVATION
WINDOW/DOOR TRIM: 1X2"
MULLINS: 1" WIDE
WALL STRIPS: 1/4" X 3 1/2" X
RANDOM LENGTHS



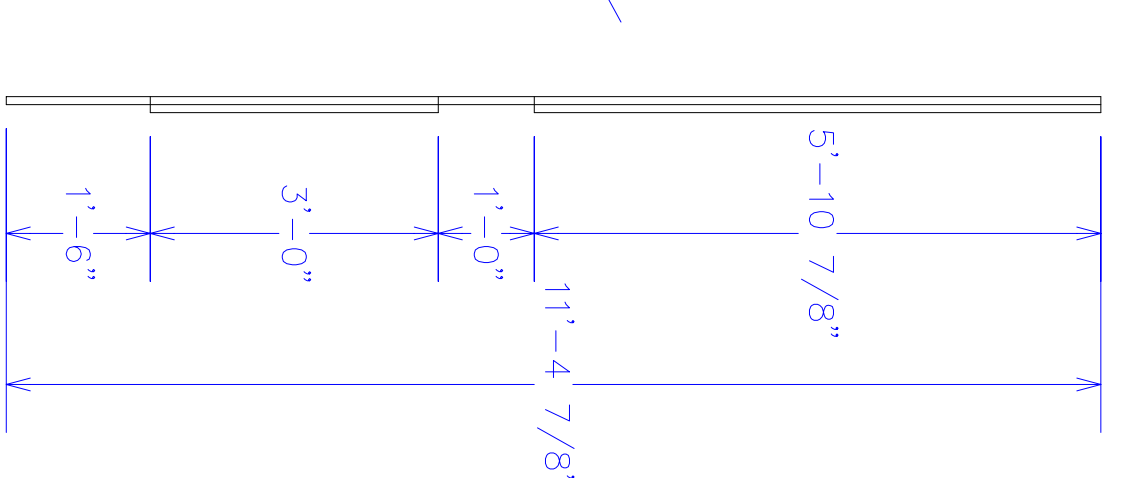
J
SIDE ELEVATION



A
A - A' SECTION
SCALE: 3" = 10"
CREATE PROFILE ON ALL
PLANNING



K
FRONT ELEVATION
WINDOW/DOOR TRIM: 1X2"
MULLINS: 1" WIDE



K
SIDE ELEVATION

UNIVERSITY OF FLORIDA	
FIDDLER ON THE ROOF	
BUILDING I - K	Proj No. 12
Director:	of: 18
Scenic Designer: M.L. Aschenbach	
Tech Director:	
Drafted by: M.L. Aschenbach	Scale: 1" = 1'
Date: 1/22/06	Approved: